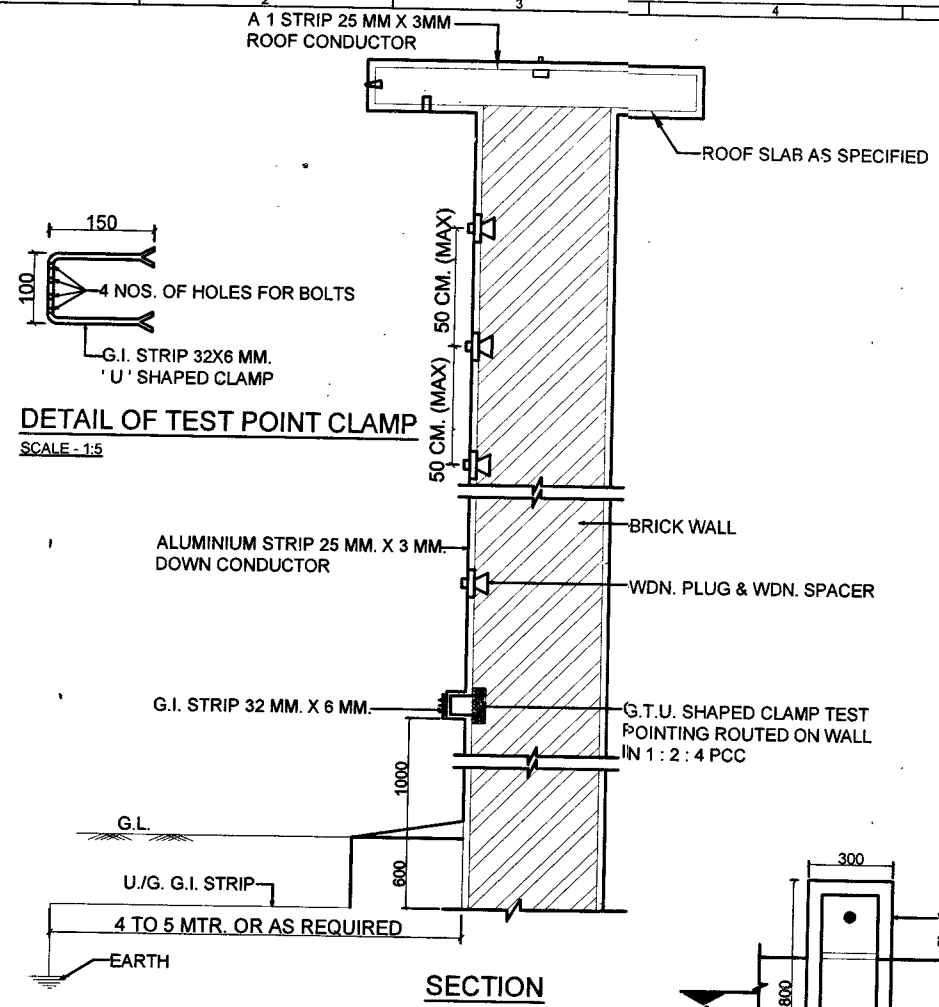
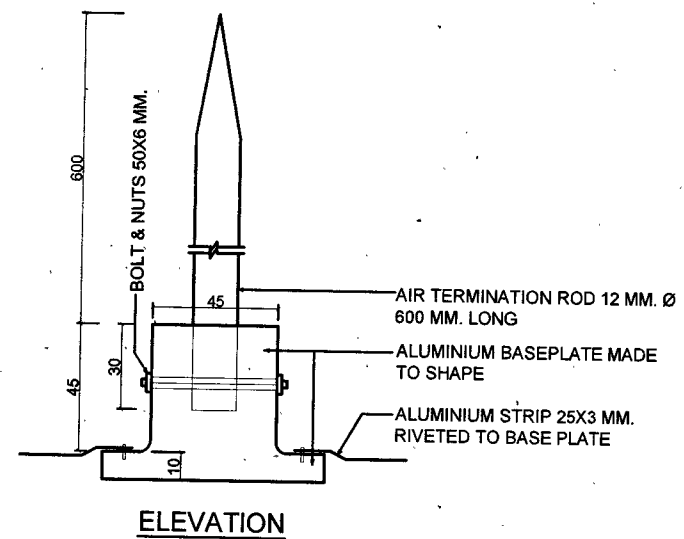
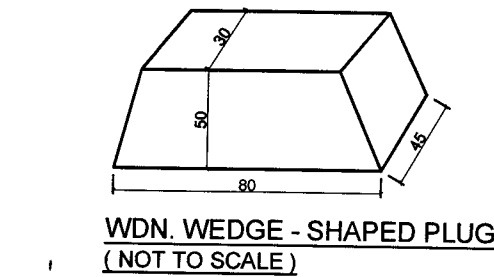


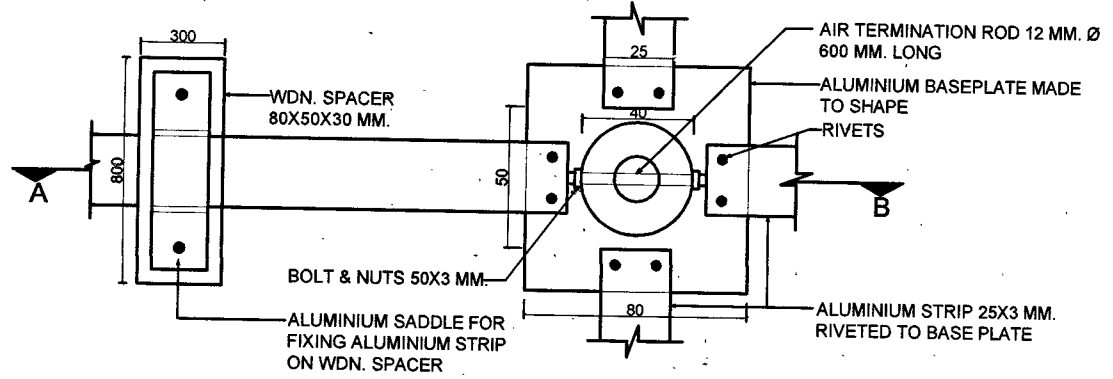
- NOTES:**
- CONTRACTOR TO CHECK & VERIFY ALL DIMENSIONS BEFORE EXECUTION OF THE WORK.
 - FIGURED DIMENSION SHALL BE FOLLOWED.
 - ALL DIMENSIONS ARE GIVEN IN MILLIMETERS UNLESS OTHERWISE SHOWN.
 - DEPTH OF THE EARTH PIT CAN BE INCREASED UP TO SUITABLE MOISTURE STRATA / SOIL.
 - ALL OVER LAP JOINTS BETWEEN EARTH PLATE / G.I. STRIPS / G.I. STROPS / G.I. STRIPS. ALL STRIPS G.I. STRIPS AND AL STRIPS ETC. SHALL BE PROVIDED WITH 2 MM. TH. LEAD SHEET PACKING OF SAME WIDTH AS OF STRIPS.
 - AL TERMINATION ROD FIXING IN AL BASE PLATE COLLER SHALL BE PUSH TIGHT SEALED WITH MOLTEN LEAD ALLOY FILLING AFTER BOLTING WITH 50X6 MM. BOLT.
 - FOR THE G.I. ROOFING SHEET THE PORCELAENE INSULATORS OF SUITABLE SIZE TO CARRY THE ALUMINIUM STRIP WILL BE FIXED WITH THE G.I. SHEET AS PER BEST ENGINEERING INSTRUCTIONS WITH G.I. NUTS, BOLT AND BITUMINOUS WASHER ETC.



DETAIL OF TEST POINT CLAMP
SCALE - 1:5

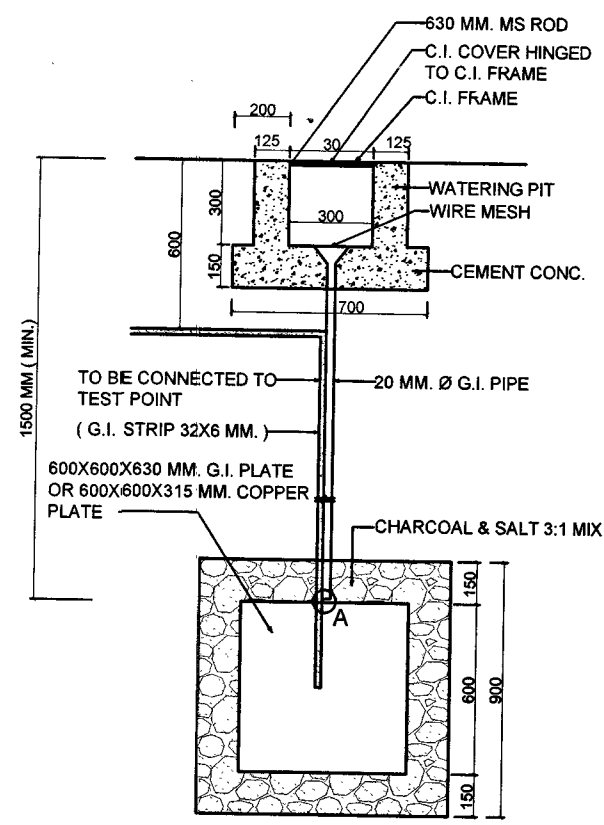


ELEVATION

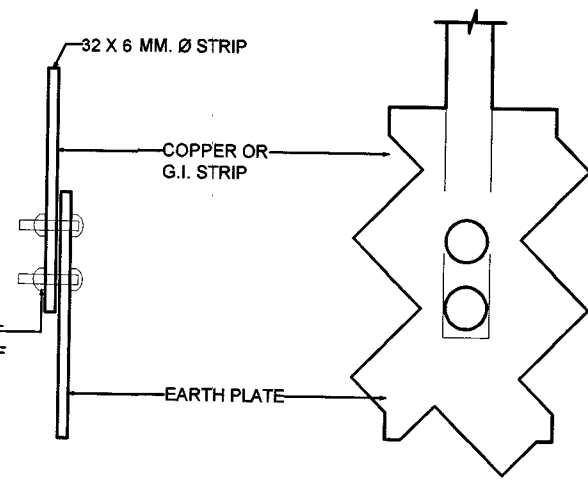


PLAN

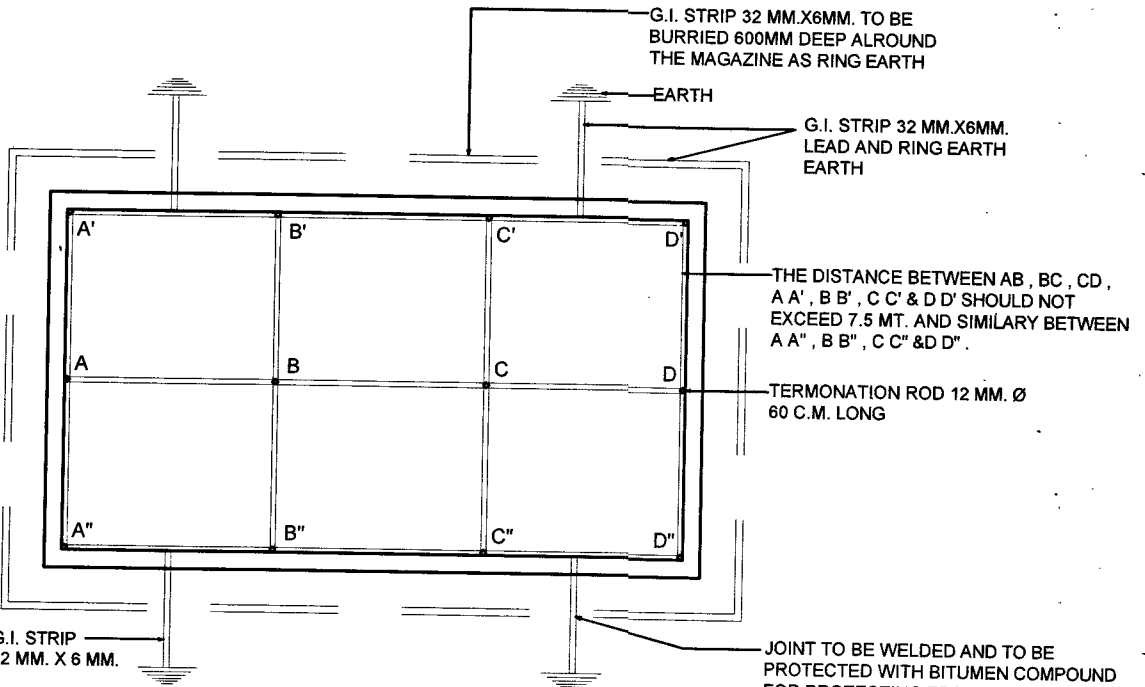
TYPICAL FIXING DETAIL OF ALUMINIUM STRIP AND AIR TERMINATION ROD WITH ALUMINIUM BASE PLATE



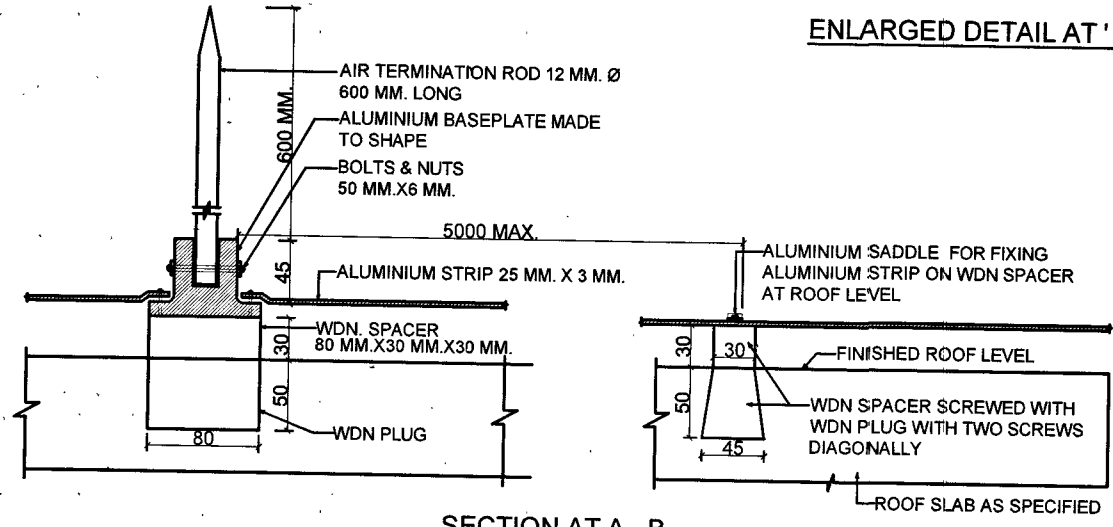
TYPICAL DETAIL OF PLATE EARTH ELECTRODE



ENLARGED DETAIL AT 'A'



TYPICAL LAY-OUT OF ROOF CONDUCTOR TERMINATION ROD AND EARTHING



SECTION AT A - B

ARCH DRAWINGS PREPARED UNDER CONSULTANCY BY M/S THE DESIGN FACTORY, 293, CHHOTI BARANDARI PART-1, JALANDHAR, PUNJAB. THE SAME ARE SIGNED BY US AS PER E-IN-C'S BRANCH POLICY LETTER NO. 08/2017 ISSUED UNDER E2 WORKS (PPC) SUB DTE, DTE OF WORKS, LETTER NO. A/00157/23-1/POL/E2W(PPC) DATED 02 JULY 2017

SL NO	DATE	DESCRIPTION	INITIAL
REVISION			

DETAILS OF LIGHTNING CONDUCTOR & METHOD OF EARTHING

DATE	13/03/2025	CHIEF ENGINEER JALANDHAR ZONE	SHEET NO 01 01
DRAWN			
CHKD		SCALE AS SHOWN DRG NO : CEJZ / TD-106 / 2025	

CONSULTANTS:
293 CHHOTI BARANDARI PART 1 - JALANDHAR +91 9876602949 thedesignfactory7@gmail.com

(Signature)
AAD (ARCH) DIRECTOR (ARCH) for CHIEF ENGINEER